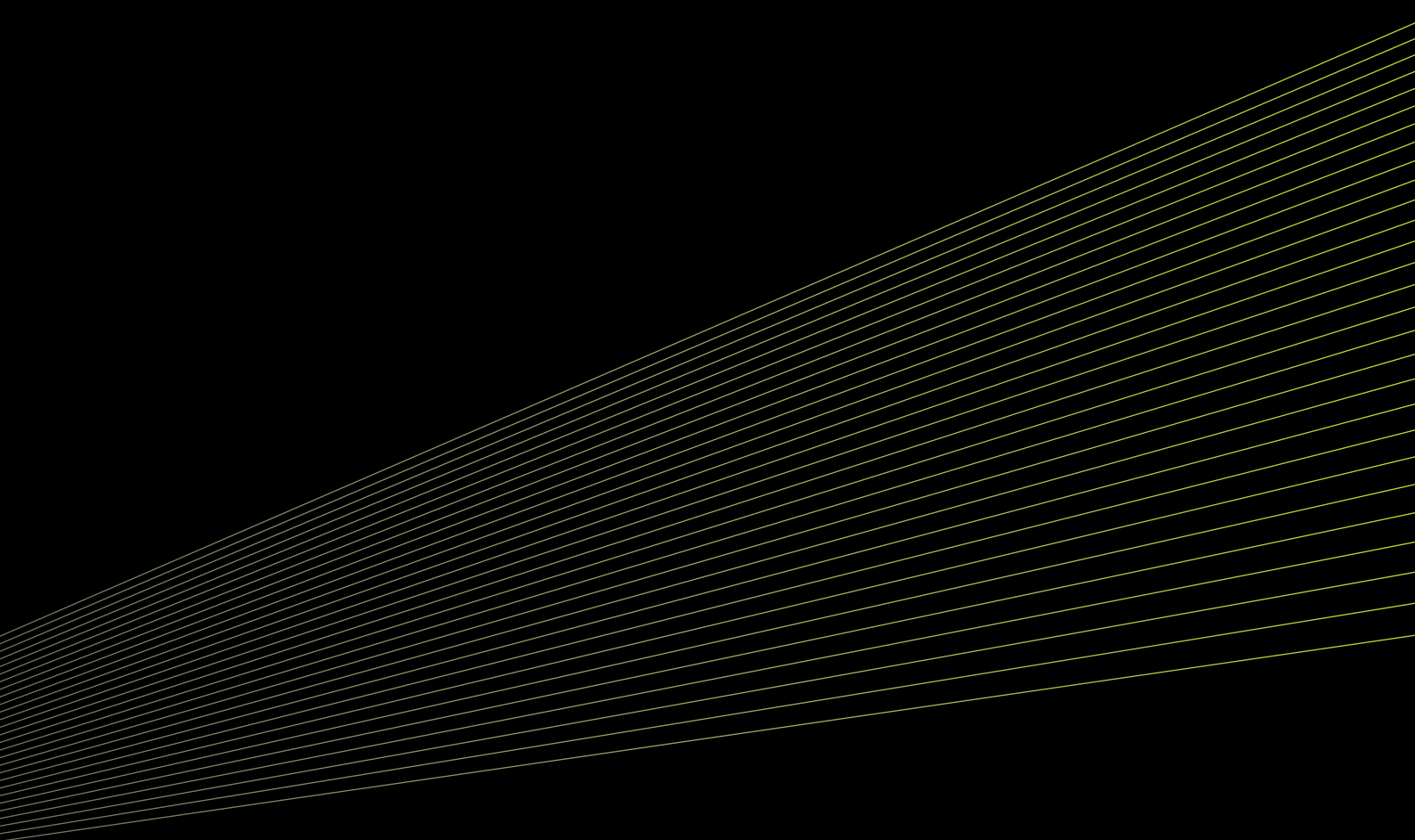
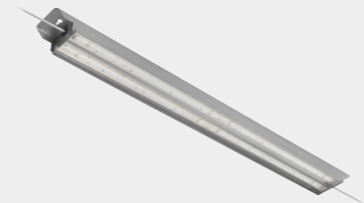
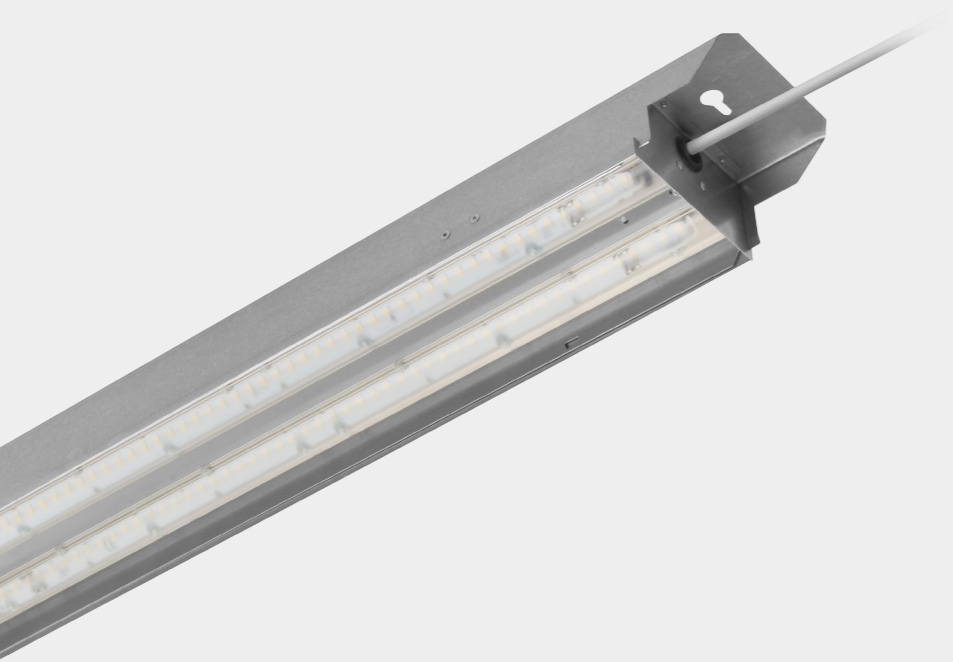


ENLIT

SELECTION 2018





GENERAL CHARACTERISTICS

- passive cooling
- 6 different lighting characteristics
- high luminous efficiency
- high colour rendering index (CRI80, CRI90)
- available in 3000K, 4000K and 5000K
- light output range from 7.900lm to 12.500lm
- long lifetime 50.000 hours (L80/B50)
- harmless towards illuminated objects – zero UV and IR radiation
- considerate to environment – without mercury content
- application areas – warehouses, industry, general public areas

VALUE FOR PRICE

- 1 equipped with last generation of linear LED modules
- 2 housing made of aluzinc
- 3 industrial electronic LED driver with 5year warranty
- 4 simple mounting
- 5 low weight of the luminaire
- 6 definable lumen packages, 6 different lighting characteristics
- 7 product fully manufactured and assembled in Slovakia

FOCUS

Focused on efficiency and economy

LED

SIX DIFFERENT LIGHTING CHARACTERISTICS FOR APPLICATIONS WITH VARIOUS HEIGHTS

Optical system made of plastic lenses available in different beam angles: 40°, 60°, 90°, batwing, asymmetric and double asymmetric.

PROTECTION AGAINST SPRAYING WATER

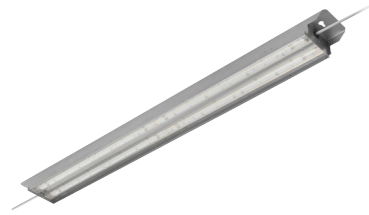
Waterproof IP ratings of the luminaire IP23.

Industrial luminaire with functional design, designed to provide general illumination in wide range of interior and industrial applications.

Equipped with last generation of linear LED modules, covered with plastic lenses. Definable lumen packages.

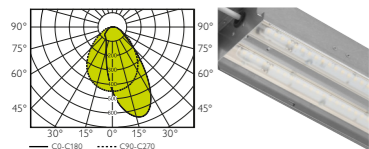
FOCUS

LED

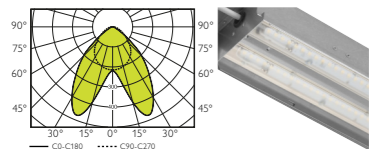


Industrial luminaire with functional design, designed to provide general illumination in wide range of interior and industrial applications. Equipped with last generation of linear LED modules covered with plastic lenses. Definable lumen packages and 6 different lighting characteristics for applications with various heights. Housing made of aluzinc, without surface treatment. Internal aluminium mounting plate for better thermal management of LED modules. Luminaire is designed for mounting on solid surface, cable tray, or for suspended installation via rods, chain or wires.

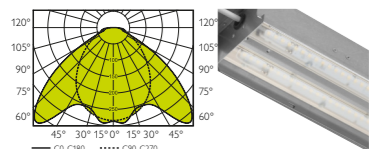
Lamp	LED
Cooling	PASSIVE
Class	I
Ingress protection	IP23
Weight	3,2kg



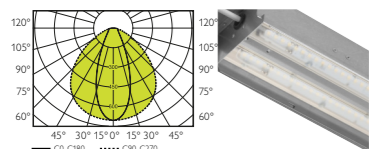
FOCUS LED 7.900lm ASYMMETRIC



FOCUS LED 7.900lm DOUBLE ASYM.



FOCUS LED 7.900lm BATWING



FOCUS LED 7.900lm 40°

INSTALLATION TYPE

- SUR - surface mounted installation
- SUS - suspended installation
- CAN - canalis installation
- installation into another ceiling types on request

OPTICAL SYSTEM

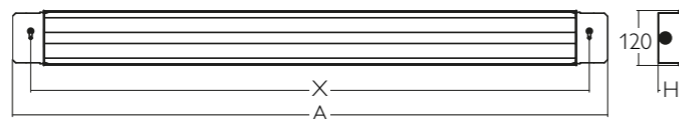
- LEN – plastic lenses available in different beam angles: 40°, 60°, 90°, batwing, asymmetric and double asymmetric

ELECTRICAL EQUIPMENT

- linear LED module fixed on aluminium mounting plate
- industrial electronic LED driver with 5year warranty, extended temperature range
- screwless terminal block with strain relief, max. 2,5mm²

OPTIONAL EQUIPMENT

- wiring with emergency unit (1 or 3h)
- wiring with dimmable electronic control gear (DSI, DALI)
- integrated through wiring 5x2,5mm² - connectors on the begin and end
- suspensions
- reflector accessory



Type*	System power (W)	Equivalent	A (mm)	X (mm)	H (mm)	kg
FOCUS LED 7.900lm	55	2x49W T5	1300	1220	59	3,2
FOCUS LED 12.500lm	91	3x49W T5	1300	1220	59	3,2

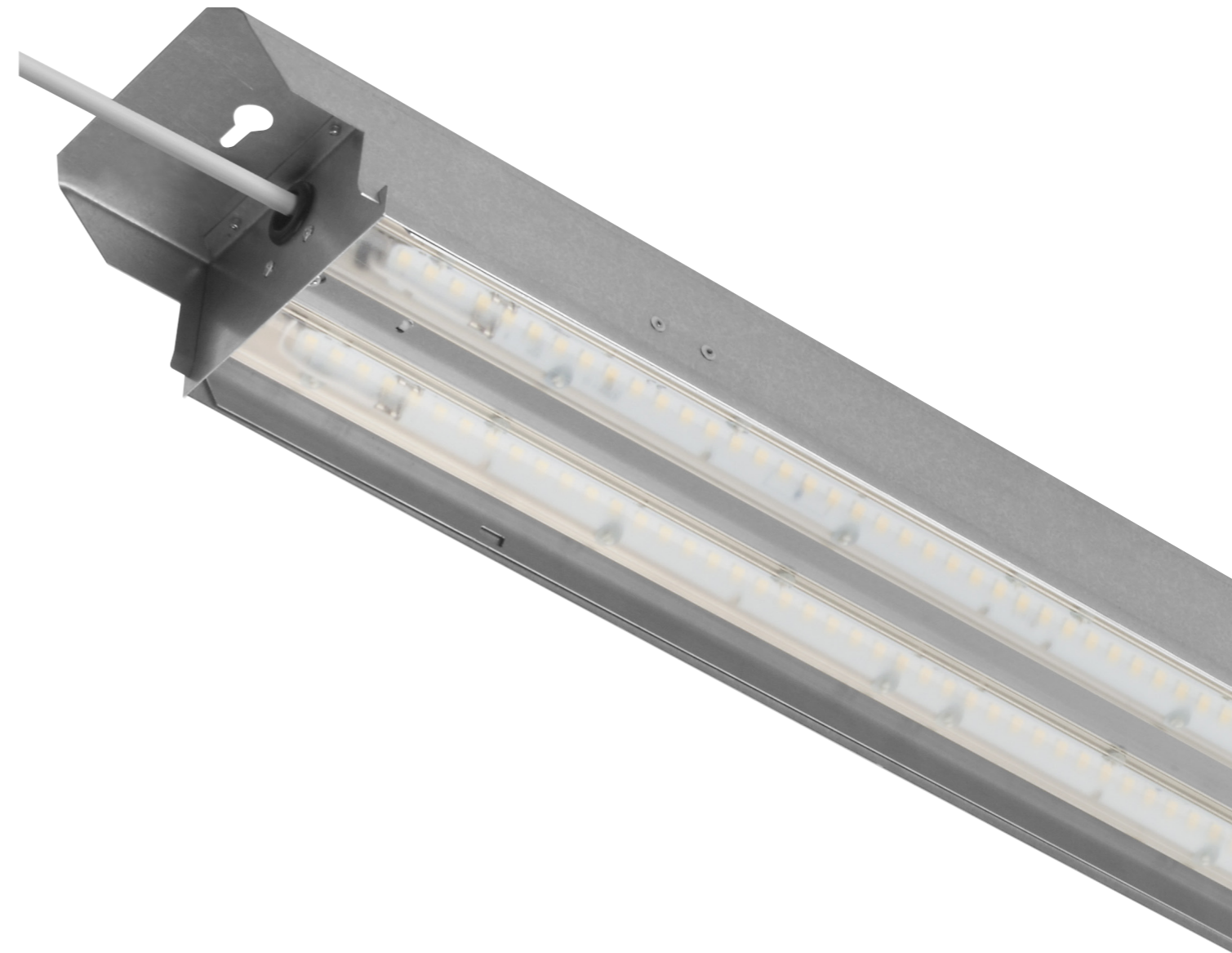
* net lumen output of the luminaire by 4000K

CODE TYPE

FO00SUR0LE07900 FOCUS LED 7.900lm
FO00SUR0LE12500 FOCUS LED 12.500lm

SPECIFICATION

cct	optics	cri	control gear	colour	accessories
3000K	40°	80	ECG		M 3h
4000K	60°		DALI		M 1h
5000K	90°		DSI		
	batwing				
	asymmetric				
	double asymmetric				



enlighten your world

ENLIT spol. s r. o.

Priemyselná 1497/18b
905 01 Senica
Slovakia

T +421 905 556 800
T +421 915 089 654
E info@enlit.sk

www.enlit.sk